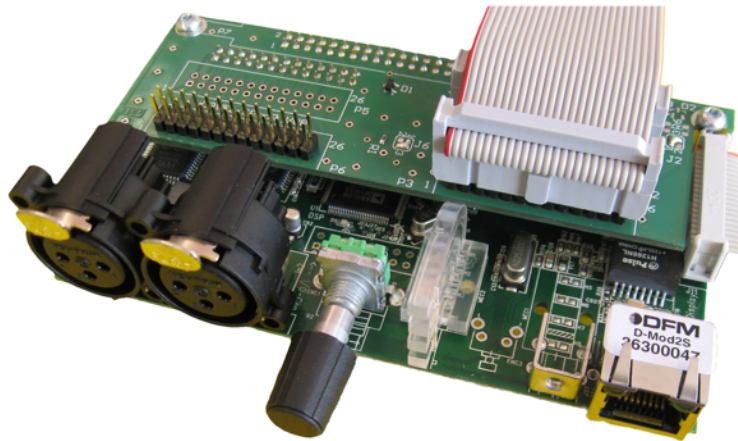


Customize your systems with the DMOD2SX module for a new touch of control and performance of our powerful DSP technology. Ideal for professional self powered speaker systems to enter easy in a full controlled network structure.

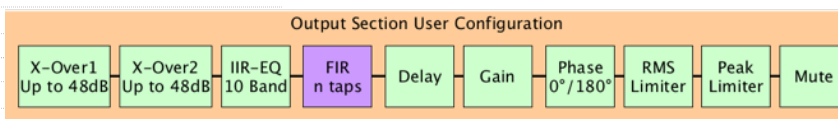
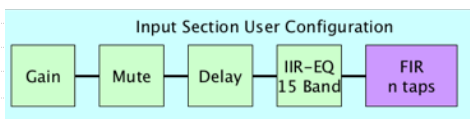
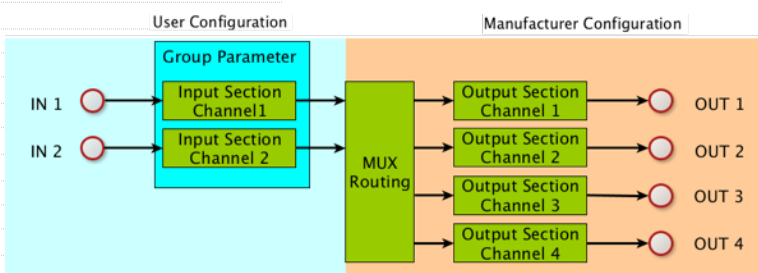


Applications:

- Designed for self powered speakers
- Connect 2 S-PRO2 to DMOD2SX
- Connect S-PRO2 + S-A1/2 to DMOD2SX

Hardware options:

- 2 inputs
- 4 outputs
- Optional realtime speaker-measurement





DSP features

DSP	SHARC DSP @300MHz
Internal processing	96 kHz / 40 bit floating point and asynchrony high-resolution sample rate converters (SRCs)
Latency	3ms
Presets	24 Presets
Limiter	Peak+RMS Limiter / EQ limiter optionally
Delay	200ms second at each input 10ms at each output
Input EQs	15x IIR-EQs with high- lowshelv, high- lowpass and peak 512 taps FIR each channel or on outputs alternatively
Output EQs	10x IIR-EQs with high- lowshelv, high- lowpass and peak 512 taps FIR each channel or on inputs alternatively
Output crossovers	2x crossover filters up to 48dB / octave
Routing MUX	2x4 with addition / subtraction
Firmware Update	In system update by network

General

Dimensions	130 x 65 x 30 (W x H x D)
Weight	270 gr with panels
Environmental	-10°C to +70°C
Powersupply	+10V..15V (max 100mA) -10..-15V (max 100mA) +6.5V..10V (max 500mA)

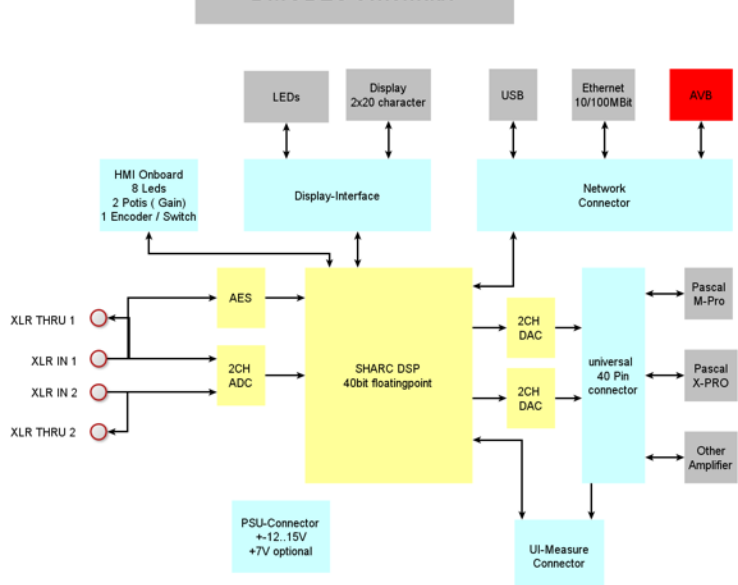
Audio

Frequency response	20 Hz - 20 kHz (+/- 0.5 dB)
Max input voltage	5Vrms / +16 dBu (15K impedance)
Max output voltage	+13.6 dBu
S/N ratio	>119 dB on analog In- / Output
THD+N	< -100dB @ 1kHz

I/O features

Analog	2x XLR Inputs (one switchable to AES input)
Digital	1x XLR AES input (SRC 32KHZ..196KHz)
Remote	Ethernet with 1x RJ45 100MBit
Amplifier	1x40 pin Connector or 1x26 Pin connector • Pascal SPRO-2 • Pascal XPRO-3, Pascal XPRO-2, Pascal XPRO-1 • Pascal MPRO-2 • and other amps
Keys	1x Encoder for menu + editing parameter
Display	2x20 character display
Accessories	several option ports

DMOD2S schematic



Control options

DFM	NetControl2 • Controlling multiple devices • Group features • OEM branding option • Support for NetControl
Custom ASP	Custom PC-Software with ASP-protocol over TCP
Custom UDP	Simple UDP-Commands for volume, Preset, Mute